

Savotta tent stove

Savotta tent stove is a multipurpose heater for you who overnight in 10-persons and bigger spark-protected camp tents. Savotta tent stove is also a fine cooking hob. On the top of the stove you can boil coffee or cook tasty soup! The owner of a sauna tent can use the tent stove also as the fireplace of the sauna. Just put stones on the top of the stove and heat well!

When taking the tent stove in use, it has to be put together carefully. All parts of the smokestack are fastened to each other to make a pipe. Two short irons on the bottom of the stove are holders on which the grate is mounted. Before lighting the stove you should be certain that there is nothing inflammable near. For example the turf under the stove should be removed and replaced with stones. When using a ground cloth it has to be protected with a fireproof plate and split so that the cloth can be folded aside from the place of the stove. The equipment inside the tent has to be kept far away from the stove to avoid melting and burning.

All the kinds of wood can be burned in the stove. The best option, however, is dry leafwood in which case the spark formation is at its slightest. When using coniferous wood the sparking is usual. The flying of the sparks can be significantly reduced by putting for example a hood, woven of thin steel wire (2-3 mm wire mesh), in the end of the smokestack. This way the holes in the tent can be minimised. The right draft effect in the stove you do get by adjusting the ash pan: when it is opened a little, the draft increases.

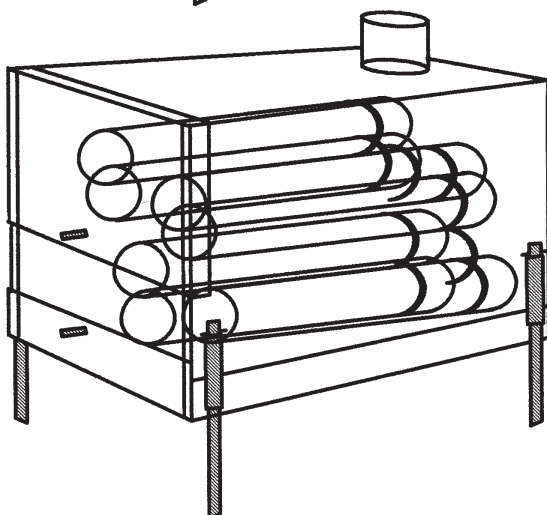
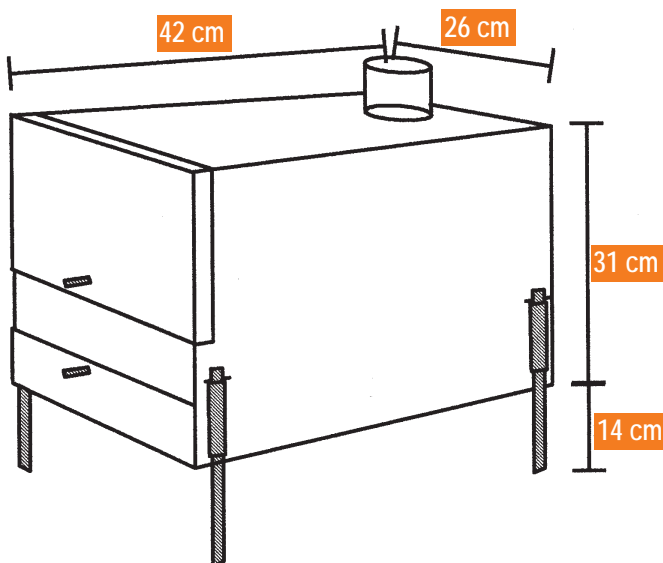
When in use, the stove must be maintained daily. The ashes are removed from the bottom of the stove to avoid the melting of the iron grate. The smokestack should be swept with for example spruce sprigs. The sweeping is important particularly when using tarry firewood, in which case the soot left inside the smokestack may burn with extremely fiery flame, and the burning soot flakes can damage the tent.

After using the stove should be cleaned carefully. The possible moisture has to be removed to avoid rusting. For long-time storage one can use for example cooking oil spread on the surface of the stove with a cloth or spray. The first burning of the oiled stove should be made outside to avoid the smoke damages caused by the burning oil.

Please remember always to supervise the fire when heating the stove and at the same time keep the stove evenly warm. Water should always be reserved near the stove for extinguishing possible fire and for moisturising the ground. Do not use the stove in tents, which are not fire-protected. In case of misuse the stove is dangerous.

Savotta tent stove creates a pleasant atmosphere to camp life. The warmth of the stove and the snappy sound of the burning firewood will be remembered long after the trip!

Safe and warm trips!



savotta

www.finn-savotta.fi

phone +358-(0)14-4171400 | e-mail: trek@finn-savotta.fi